

Bose® PowerMatch® Dante™ network card

WARNING: This product is intended for installation by professional installers only.

CAUTION: Make no modification to the system or accessories. Unauthorized alterations may compromise safety, regulatory compliance, and system performance.

CAUTION: Electro-Static Discharge (ESD) sensitive device. Handle with care.

Note: F/UTP shielded Cat5e cabling is recommended for use with this product.

Thank you for selecting Bose® PowerMatch® amplifiers for your sound reinforcement system. This document is intended to provide professional installers with basic installation and safety guidelines for installing the optional Dante card in a Bose PowerMatch amplifier. Please read this document before attempting installation.

The Dante card provides audio connectivity with any device capable of Dante networking and is capable of receiving up to 8 audio channels and transmitting up to 8 audio monitoring channels.

For further details on network best practices, how to use Dante Controller and how to interface PCs and Macs using Dante Virtual Soundcard, visit www.audinate.com.

To install the Dante card into a PowerMatch amplifier, follow these instructions:

1. Turn off and unplug the PowerMatch amplifier.
2. Detach the rear expansion slot cover plate by removing the 2 screws. (See Figure 1.)
3. Align the Dante card with the plastic card guides in the open slot. Insert the card until the rear panel is flush with the amplifier. (See Figure 2.)

Figure 1.

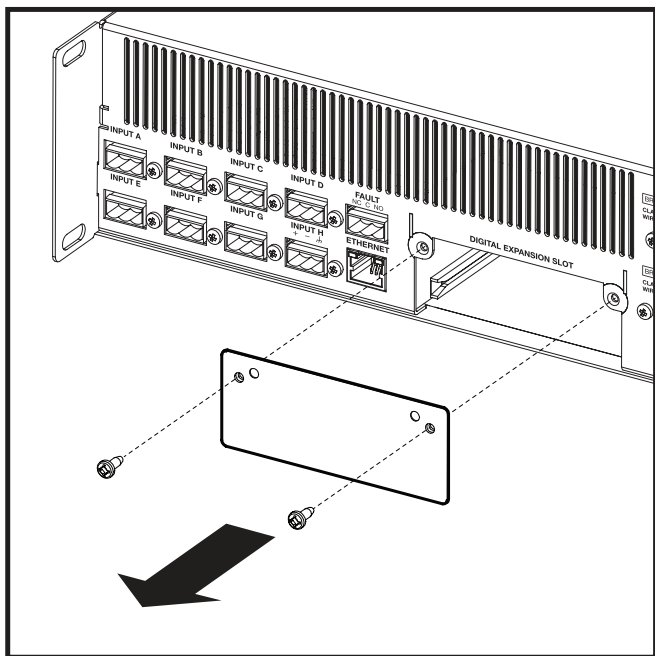
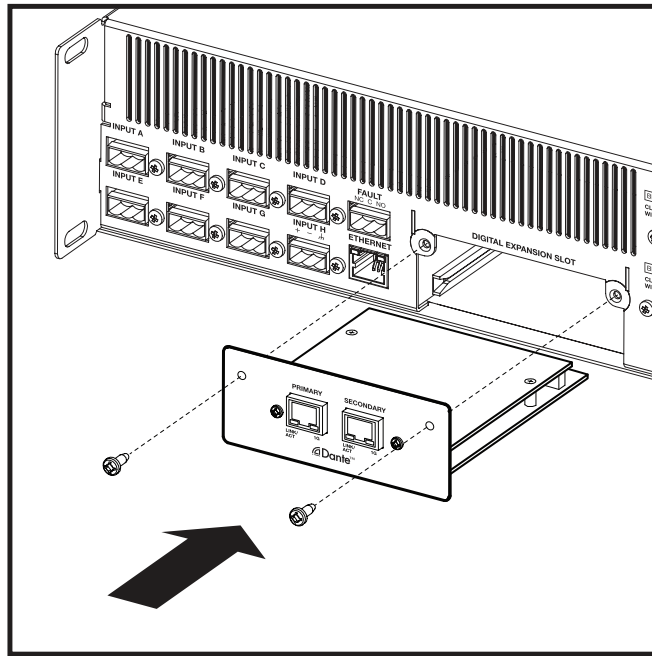


Figure 2.



4. Screw the card into place.
5. Plug in the power cord and turn on the PowerMatch amplifier.
6. Using the front panel, navigate to the FIRMWARE VERSION screen (MAIN MENU<UTILITY<FIRMWARE VERSION).
7. Check the amplifier LCD screen to view whether the Dante card has been identified. (See Figure 3.)

Bose® PowerMatch® Dante™ network card

Figure 3.



8. If the card does not appear in the FIRMWARE VERSION screen, repeat steps 1-7. Be sure that the card is completely pushed into the slot, and that the card is properly aligned with the card guides.

Dante™ is a trademark of Audinate Pty Ltd.



BOSE[®]
Better sound through research[®]

© 2013 Bose Corporation. All rights reserved.
The Mountain, Framingham, MA 01701-9168 USA
www.pro.Bose.com
All trademarks are the property of their respective owners.
AM626033 Rev. 00